

AluPlana Inspection Door

with impregnated gypsum plasterboard inlay H2 (12.5mm, 2x12.5mm) and screw head-free surface for installation in walls and ceilings in drywall construction.



Product Advantages

- Less filling work due the screw head-free surface
- All-round, dust-tight lip seal (silicone)
- Available specially in "air and dust-tight design"

Product Description

The AluPlana access panel is specially designed for installation in ceiling and wall constructions in drywall construction. It is equipped with an all-round, four-sided lip seal for fitting in the aluminium mounting frame. The door cover is secured on both sides by means of self-adjusting security snap locks. The security snap locks ensure the retention of the door cover on every opening. The cover can be easily removed and refitted. The impregnated gypsum plasterboard inlays in the door cover are suitable for wet rooms.

Scope of Supply

- ✓ Inspection door
- ✓ Installation kit protective caps for screws
- ✓ Installation instructions

Installation and Fixing

Simple fitting of the mounting frame in the structure opening. This must be made approx. 5-10mm larger than the installation dimensions of the inspection door. The fixing of the frame takes place from the front through the panelling of the wall / ceiling and the mounting frame using customer-supplied drywall screws. Fit the protective caps to the rear of the screw tips. Fit and close the door cover. Please always observe the installation instructions supplied!

Filling and Painting Work

Fill the joint between the mounting frame and structure opening. Separately fill and dry the door cover. Then coat and dry it again before fitting. Completely remove any filler and paint residues. All the metallic surfaces and seals must be clean. Then carry out a functional check (opening and closing).

Cleaning and Maintenance

The components of the inspection door must be cleaned using conventional, mild cleaning agents or be cleaned dry. The door must always be properly closed. Check the function of the locks as and when required. The inspection door is maintenance-free.

Special Models

- ✓ Available with a cylinder lock
- ✓ Available with an RS square lock

Accessories

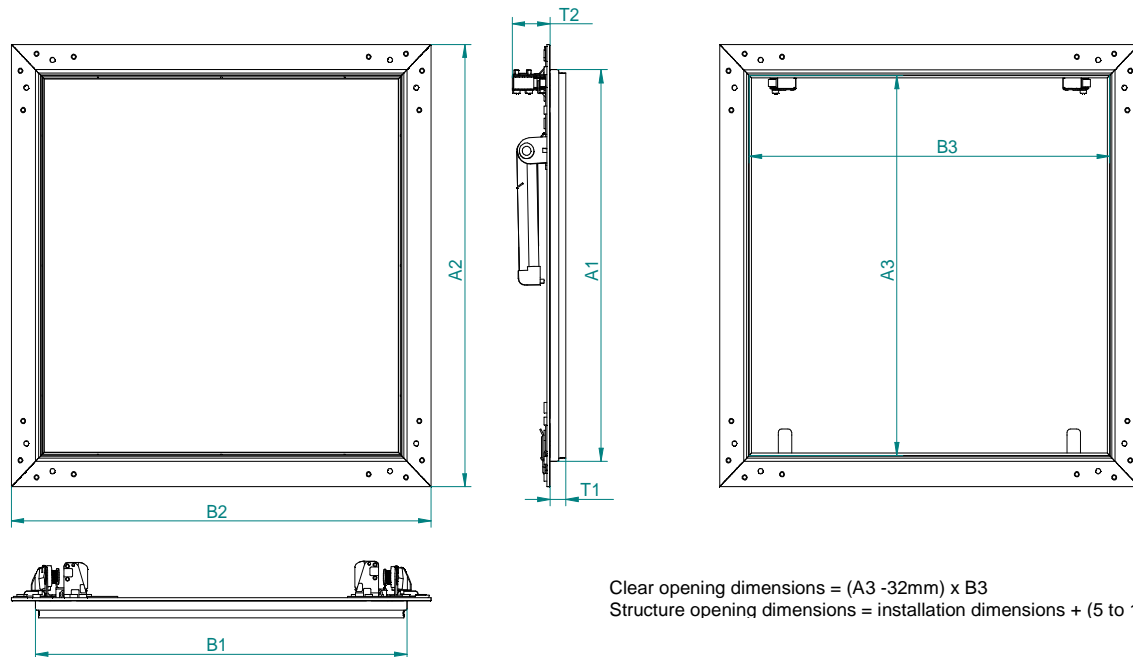
Article 22-212 RS Square Lock

Article 22-216 Square Key



AluPlana Inspection Door

with impregnated gypsum plasterboard inlay H2 (12.5mm, 2x12.5mm) and screw head-free surface for installation in walls and ceilings in drywall construction.



Clear opening dimensions = $(A3 - 32\text{mm}) \times B3$
Structure opening dimensions = installation dimensions + (5 to 10mm)

Supply Range "Standard Design"

12.5mm gypsum plasterboard inlay CE certified according to DIN EN 520: H2

| Order No. | Size | | Installation Dim. | | Outside Dim. | | Clearance Width | | Depth / Width | | Weight kg |
|-----------|------|---------|-------------------|-------|--------------|-------|-----------------|-------|---------------|----|--------------|
| | A | x B (V) | A1 | x B1 | A2 | x B2 | A3 | x B3 | T1 | T2 | |
| 22-000 | 200 | x 200 | 201 | x 201 | 240 | x 240 | 192 | x 192 | 13 | 31 | 0.81 |
| 22-001 | 300 | x 300 | 301 | x 301 | 340 | x 340 | 292 | x 292 | 13 | 31 | 1.40 |
| 22-002 | 400 | x 400 | 401 | x 401 | 440 | x 440 | 392 | x 392 | 13 | 31 | 2.21 |
| 22-003 | 500 | x 500 | 501 | x 501 | 540 | x 540 | 492 | x 492 | 13 | 31 | 3.20 |
| 22-004 | 600 | x 600 | 601 | x 601 | 640 | x 640 | 592 | x 592 | 13 | 31 | 4.37 |

2 x 12.5mm gypsum plasterboard inlay CE certified according to DIN EN 520: H2

| Order No. | Size | | Installation Dim. | | Outside Dim. | | Clearance Width | | Depth / Width | | Weight kg |
|-----------|------|---------|-------------------|-------|--------------|-------|-----------------|-------|---------------|----|--------------|
| | A | x B (V) | A1 | x B1 | A2 | x B2 | A3 | x B3 | T1 | T2 | |
| 22-010 | 200 | x 200 | 201 | x 201 | 240 | x 240 | 192 | x 192 | 25.5 | 31 | 1.19 |
| 22-011 | 300 | x 300 | 301 | x 301 | 340 | x 340 | 292 | x 292 | 25.5 | 31 | 2.31 |
| 22-012 | 400 | x 400 | 401 | x 401 | 440 | x 440 | 392 | x 392 | 25.5 | 31 | 3.70 |
| 22-013 | 500 | x 500 | 501 | x 501 | 540 | x 540 | 492 | x 492 | 25.5 | 31 | 5.61 |
| 22-014 | 600 | x 600 | 601 | x 601 | 640 | x 640 | 592 | x 592 | 25.5 | 31 | 7.71 |

All dimensions in mm, (V) = locking side

Supply Range "Air and Dust-tight" Design

12.5mm gypsum plasterboard inlay CE certified according to DIN EN 520: H2

| Order No. | Size | | Installation Dim. | | Outside Dim. | | Clearance Width | | Depth / Width | | Weight kg |
|-----------|------|---------|-------------------|-------|--------------|-------|-----------------|-------|---------------|----|--------------|
| | A | x B (V) | A1 | x B1 | A2 | x B2 | A3 | x B3 | T1 | T2 | |
| 22-120 | 200 | x 200 | 201 | x 201 | 240 | x 240 | 192 | x 192 | 13 | 31 | 0.79 |
| 22-121 | 300 | x 300 | 301 | x 301 | 340 | x 340 | 292 | x 292 | 13 | 31 | 1.40 |
| 22-122 | 400 | x 400 | 401 | x 401 | 440 | x 440 | 392 | x 392 | 13 | 31 | 2.25 |
| 22-123 | 500 | x 500 | 501 | x 501 | 540 | x 540 | 492 | x 492 | 13 | 31 | 3.24 |
| 22-124 | 600 | x 600 | 601 | x 601 | 640 | x 640 | 592 | x 592 | 13 | 31 | 4.49 |

2 x 12.5mm gypsum plasterboard inlay CE certified according to DIN EN 520: H2

| Order No. | Size | | Installation Dim. | | Outside Dim. | | Clearance Width | | Depth / Width | | Weight kg |
|-----------|------|---------|-------------------|-------|--------------|-------|-----------------|-------|---------------|----|--------------|
| | A | x B (V) | A1 | x B1 | A2 | x B2 | A3 | x B3 | T1 | T2 | |
| 22-130 | 200 | x 200 | 201 | x 201 | 240 | x 240 | 192 | x 192 | 25.5 | 31 | 1.19 |
| 22-131 | 300 | x 300 | 301 | x 301 | 340 | x 340 | 292 | x 292 | 25.5 | 31 | 2.21 |
| 22-132 | 400 | x 400 | 401 | x 401 | 440 | x 440 | 392 | x 392 | 25.5 | 31 | 4.03 |
| 22-133 | 500 | x 500 | 501 | x 501 | 540 | x 540 | 492 | x 492 | 25.5 | 31 | 5.90 |
| 22-134 | 600 | x 600 | 601 | x 601 | 640 | x 640 | 592 | x 592 | 25.5 | 31 | 7.31 |

All dimensions in mm, (V) = locking side